

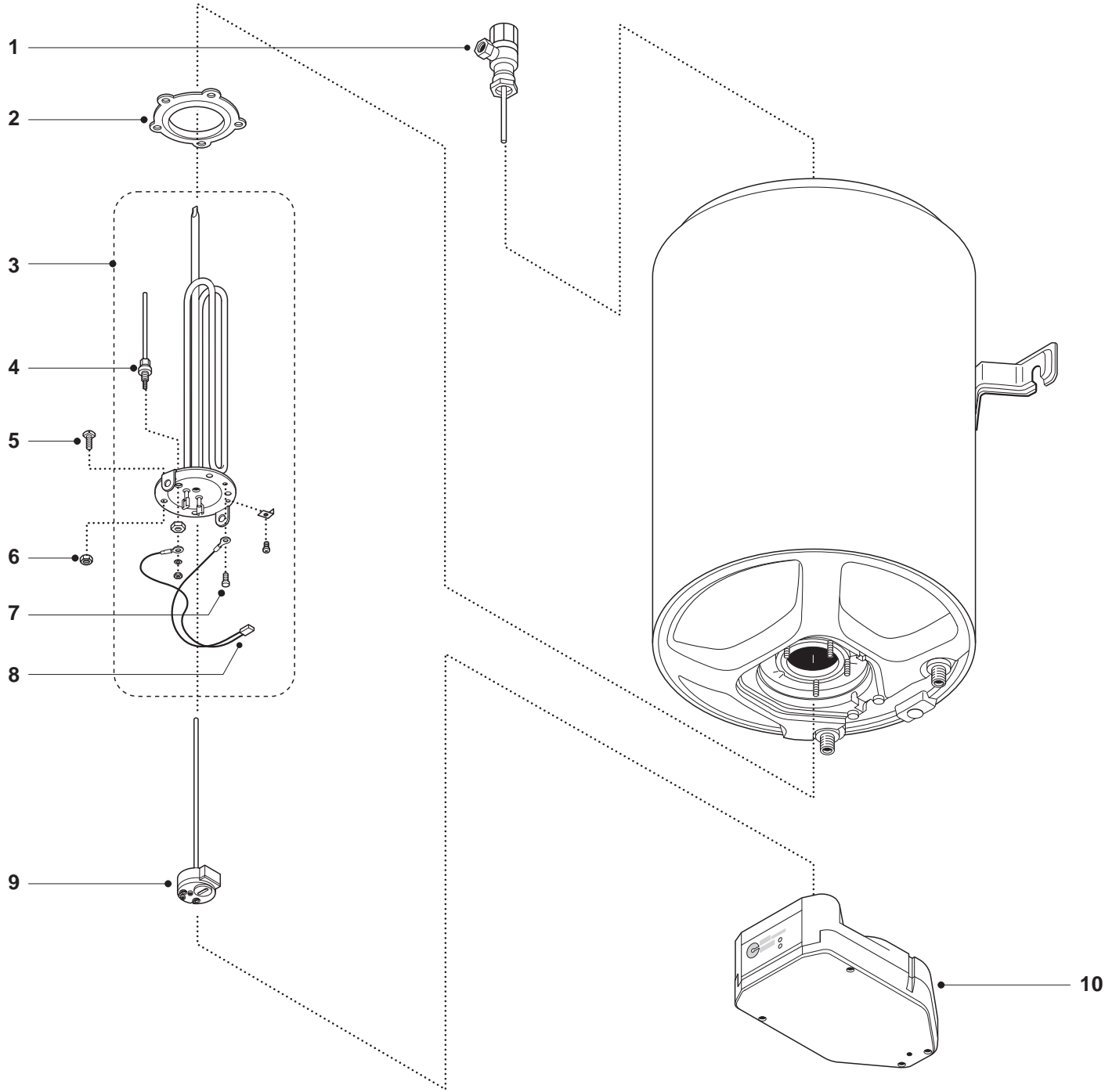


SPARE PARTS LIST
ELECTRIC WATER HEATER GEYSER
Models

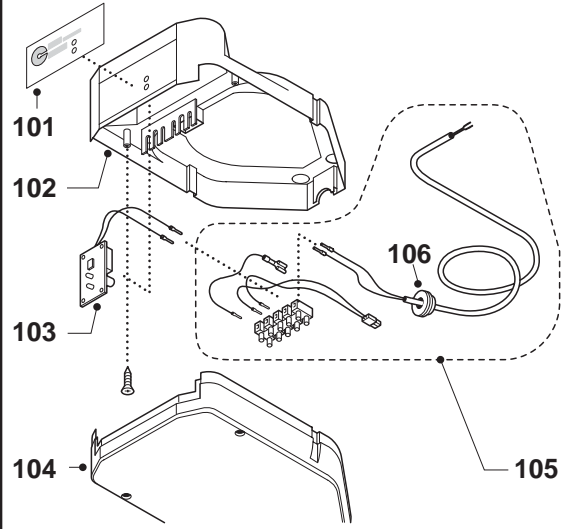
ST 50 PROTECH
ST 80 PROTECH
ST 100 PROTECH

Edition 1 of 05 March 2004





Code 65101398



MODEL	CODE	SERIAL NUMBER VALIDITY	REF.
ST 50 PROTECH	893166	04000001893166	A
ST 80 PROTECH	893167	04000001893167	B
ST 100 PROTECH	893168	04000001893168	C

ER2004200009801001

POS.	CODE	DESCRIPTION	REF.	NOTE
1	969048	Temperature+pressure relief valve (3/4")		
2	924001	Flange gasket (5 Stud)		
3	65101395	Element (3000W 240V)		
4	340406	Anode (Protech)		
5	918064	Screw (M8x20 - 20 pcs)		
6	918004	Nut (M8)		
7	918083	Screw (M5x16)		
8	340410	Cable (electrode - L=300mm)		
9	65101396	Thermostat (TBS PLUS 450 16A)		
10	65101398	Plastic cover (complete)		
101	65101399	Adhesive label		
102	65101466	Plastic cover (upper)		
103	65101401	P.C.B. (Protech Anode)		
104	926291	Cover (bottom)		
105	65101402	Wiring kit (Protech)		
106	926283	Cable holder		

NOTE	DESCRIPTION