

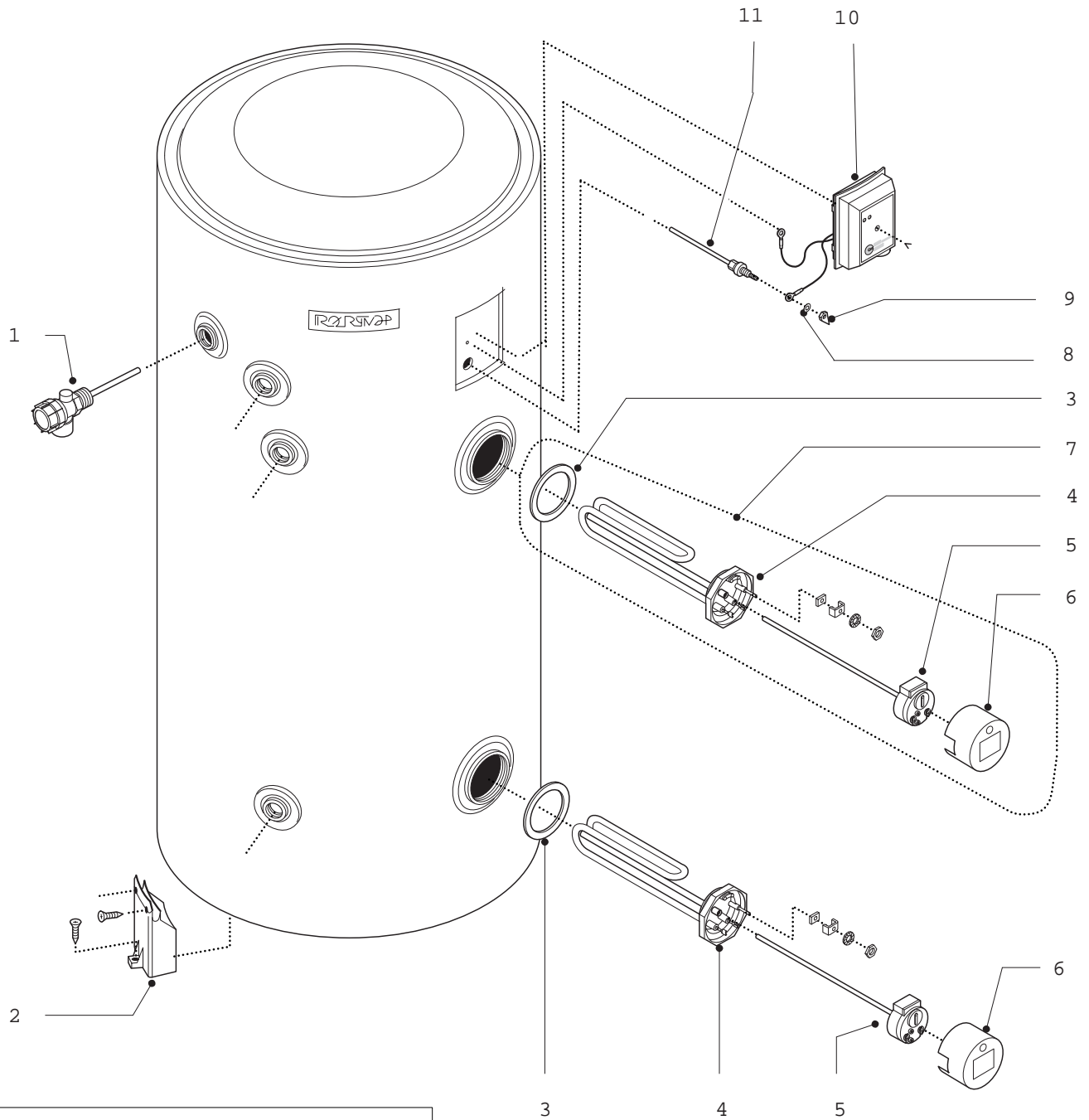


SPARE PARTS LIST  
UNVENTED WATER HEATER  
Models  
**CONTRACT STD 125 PROTECH**  
**CONTRACT STD 150 PROTECH**  
**CONTRACT STD 210 PROTECH**

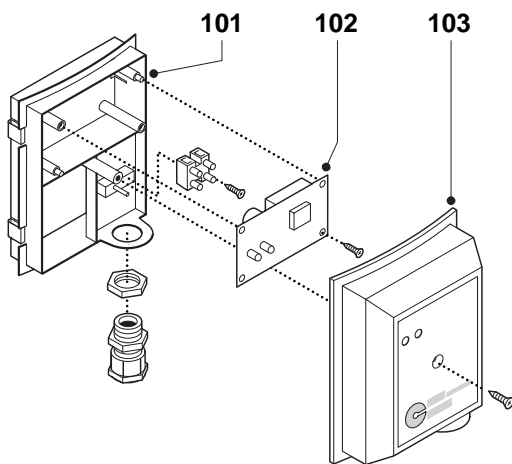
---

Edition 1 of 9 November 2000





**Code 925345**



MODELS	CODE	SERIAL NO. VALIDITY	REF.
CONTRACT STD 125 PROTECH	893004	00000000893004	A
CONTRACT STD 150 PROTECH	893005	00000000893005	B
CONTRACT STD 210 PROTECH	893006	00000000893006	C

ER2000190533401001

<b>PART.</b>	<b>CODE</b>	<b>DESCRIPTION</b>	<b>REF.</b>	<b>NOTE</b>
1	969046	Temperature + pressure relief valve (1/2")		
2	926136	Foot (100mm)		
3	924087	Gasket (heating element)		
4	816557	Heating element (3kW 240V)		
5	691218	Thermostat (TBS 300)		
6	935182	Thermostat cap		
7	935347	Element kit (2 1/4")		
8	918046	Washer (M4)		
9	918117	Nut (M4-ZN)		
10	925345	Printed circuit board (complete with covers)		
11	340407	Electrode (titanium)		
101	925344	Back cover (P.C.B.)		
102	925294	Printed circuit board		
103	926338	Cover (P.C.B.)		
201	918096	Fixing screw (3.5x16)		11

<b>NOTE</b>	<b>DESCRIPTION</b>
11	Not illustrated