

SPARE PARTS EXPLODED VIEW  
STORAGE ELECTRIC WATER HEATERS

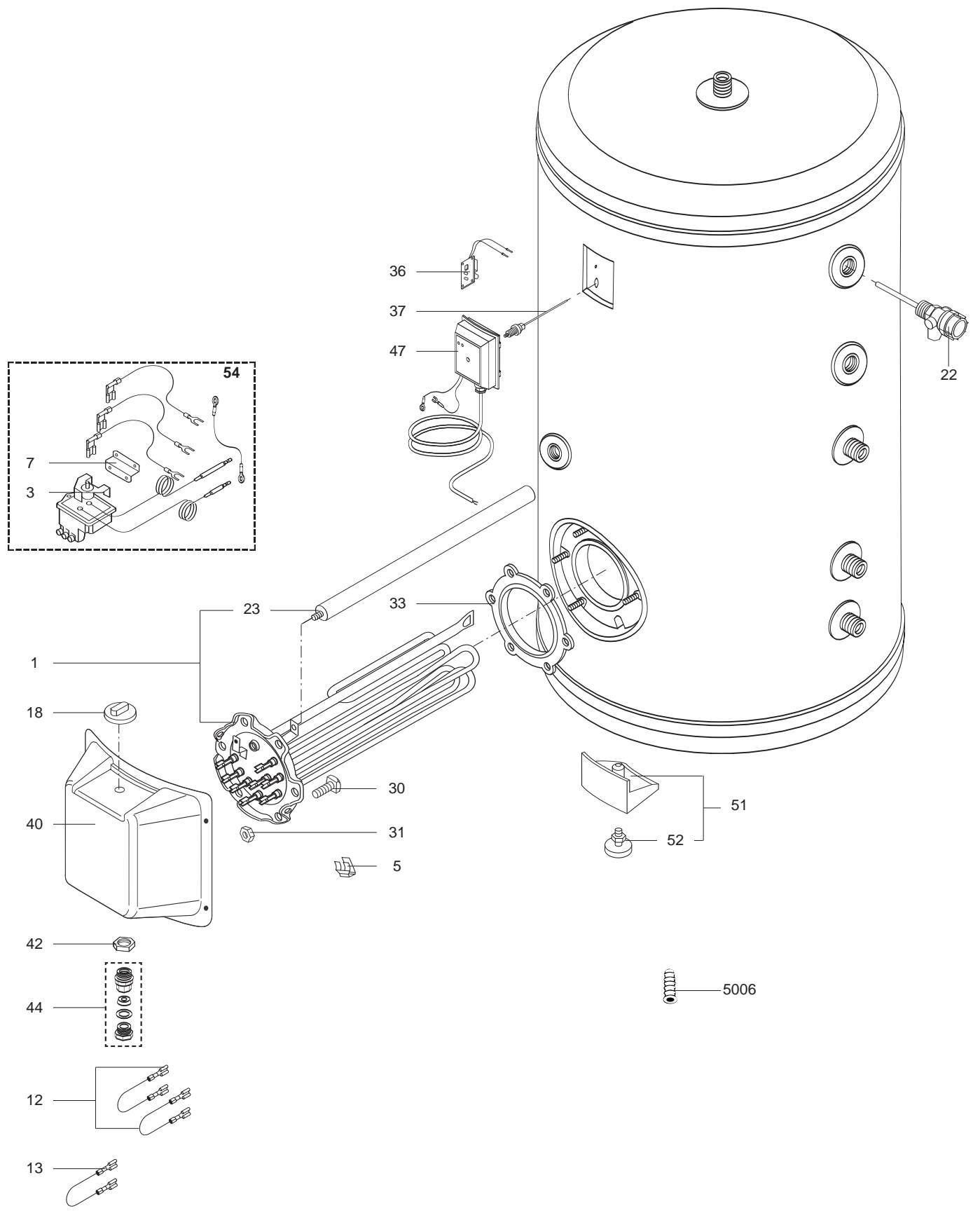
Model

**500 STD-STI**

R8202874-01EN - Edition 01 - 06/06/2005



893 142		500 STD UK PROTECH	11/03	...
893 143		500 STI UK PROTECH	09/03	...
Reference	Ind.	Model type	Begin	End







## LIST OF THE ABBREVIATIONS

HW .....	: Hot water.
CW .....	: Cold water.
C .....	: Ceramic resistance (nomral heating).
Ca .....	: Ceramic resistance (accelerated heating)
TP .....	: Immersion heater.
1F .....	: With fittings.
2F .....	: Without fittings.
3F .....	: With fittings and another outlet connection.
AMI .....	: With mixing valve.
SMI .....	: Without mixing valve.
PUISS .....	: Power of th appliance.
PN .....	: Appliance with normal pression.
LP .....	: Appliance with low pression.
PV .....	: Appliance with variable power.
PF .....	: Appliance with fixed power..

## IDENTIFICATION PLATE

### SERIAL NUMBER

Ex : 06500 4(from 01/93 to 06/95)

Sequential number  
 Month of manufacture : from 01 to 12 → January to December  
 Year of manufacture

Ex : 0506500 4(from 07/95)

Sequential number  
 Year of manufacture  
 Month of manufacture : from 01 to 12 → January to December

Ex: 003 126 0001 893077 OR

Product reference  
 Sequential number  
 Manufacturing day Ex:126 day of the year  
 Year of manufacture

The indications mentionned on the prices, commercial or technical literature and the scheme are written for your guidance and are available at a given time. The CONSTRUCTOR retains the power to modify the presentation, the form, the size, the conception or the material of the products.